

Rev.	Sym.	Q'TY	ICN/ECN NO	Changed by	Date
V1.0			the first release		

COMPANY CONFIDENTIAL

A

B

C

D

E

F

A

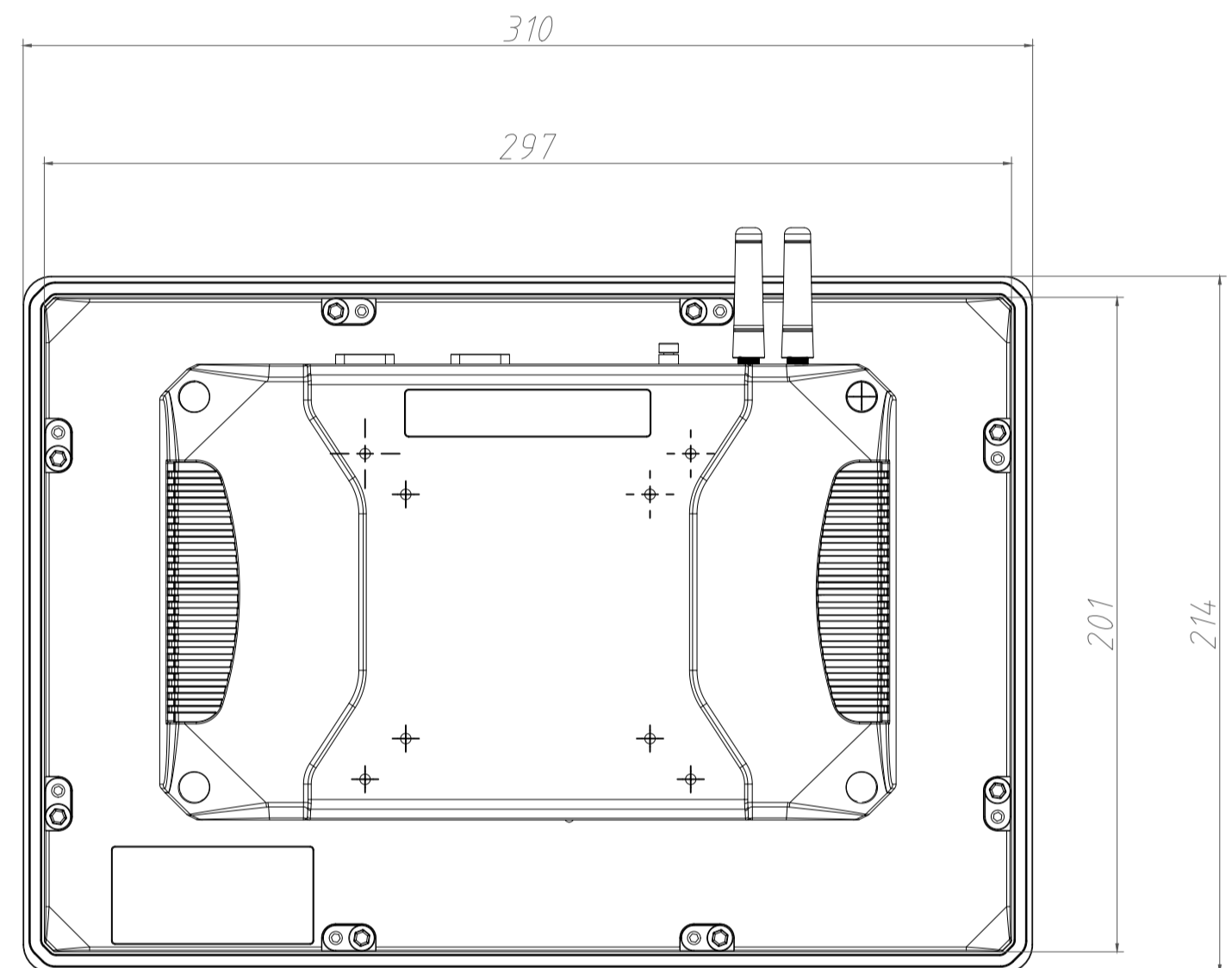
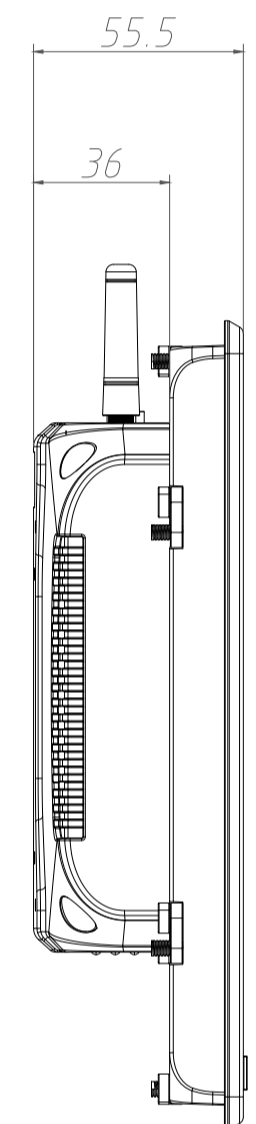
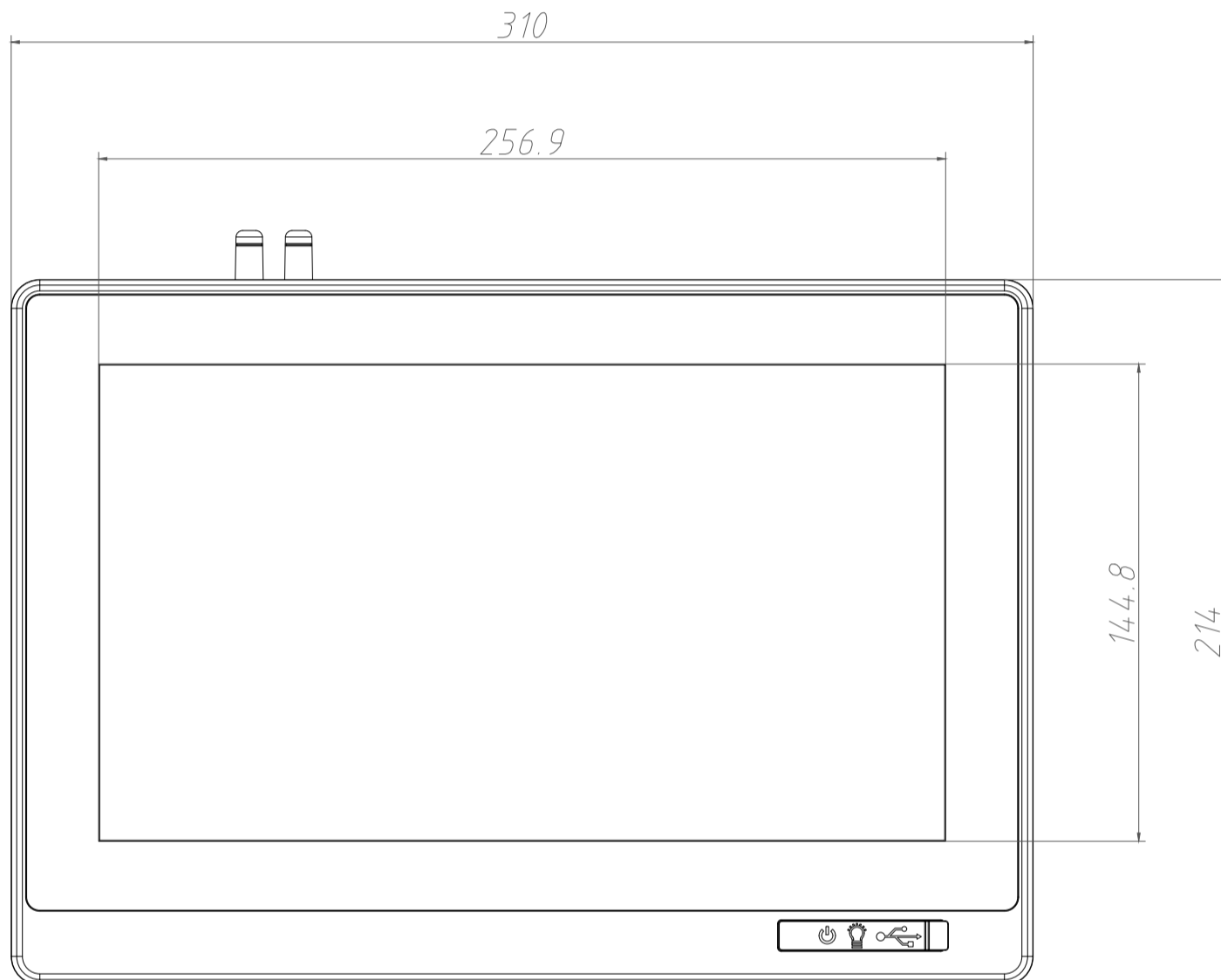
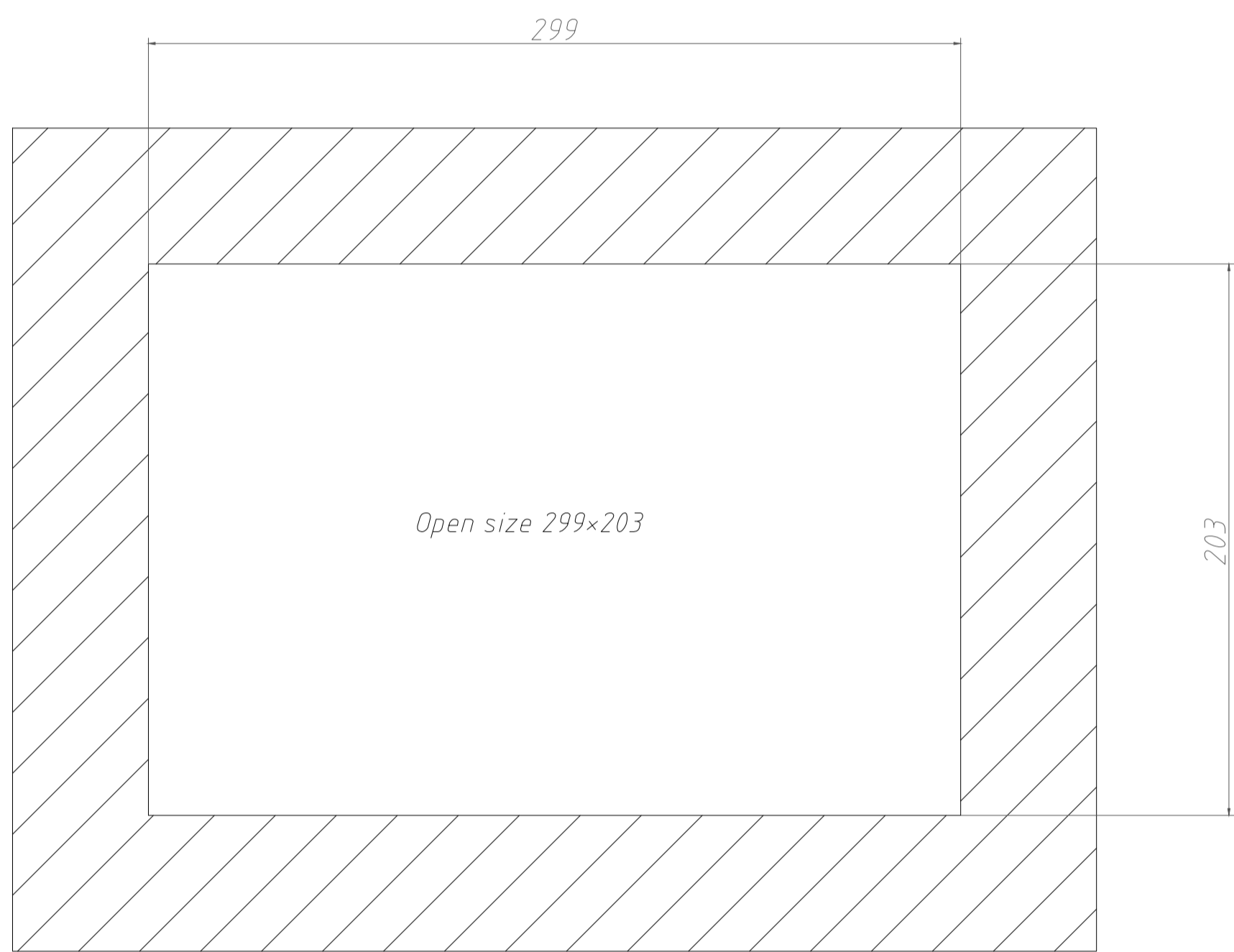
B

C

D

E

F



<p>PANELMATE Creative HMI Solution</p>	Project Name :		Part Name		
	<p>First angle system</p>		Part No		
Design		Material	See Notes	Size: A0	Scale: 1:1
Check		Process	See Notes	Unit: mm	Sheet: 1 of 1
Approve					